

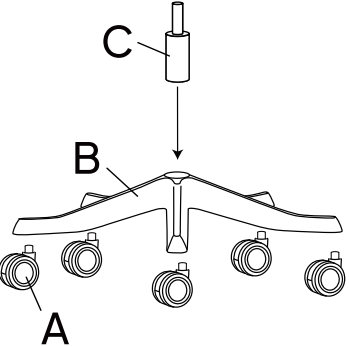
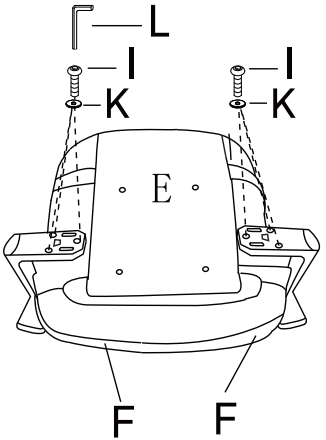
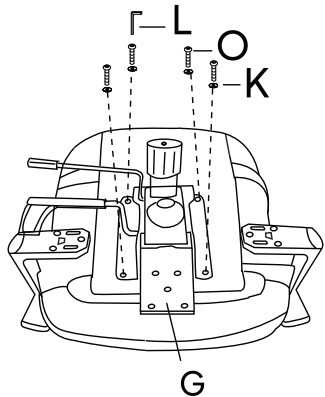
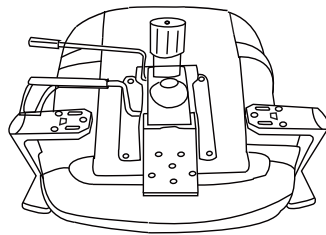






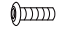







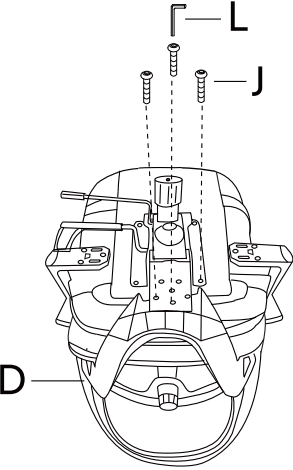
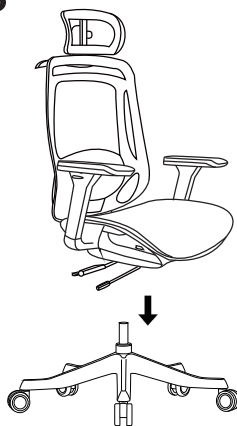
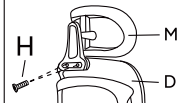
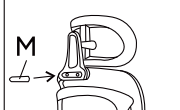
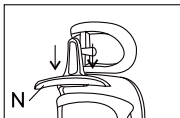





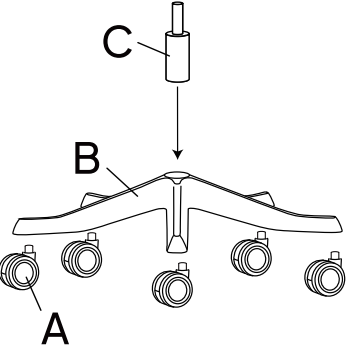
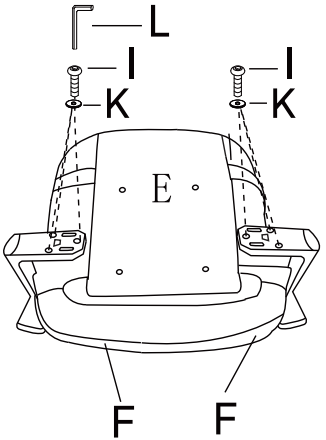
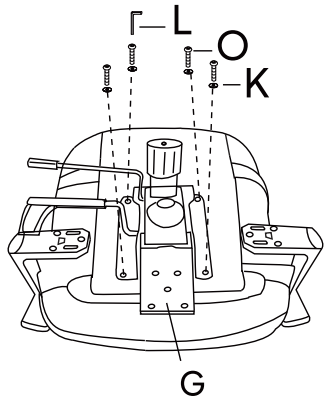
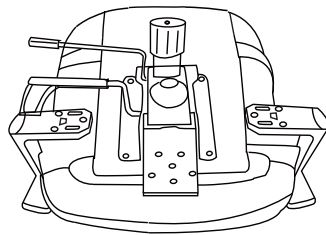






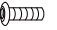








<p>A x 5</p> 	<p>B x 1</p> 	<p><b>01</b></p> 	<p><b>02</b></p> 	<p><b>03</b></p> 	<p><b>04</b></p> 
<p>C x 1</p> 	<p>D x 1</p> 				
<p>E x 1</p> 	<p>F x 2</p> 				
<p>G x 1</p> 	<p>H x 2 (6x25)mm</p> 				
<p>I x 6 (6x25)mm</p> 	<p>J x 3 (8x16)mm</p> 				
<p>K x 10</p> 	<p>L x 1(5)MM</p> 				
<p>M x 1</p> 	<p>N x 1</p> 				
<p>O x 4 (6x14)mm</p> 	<p>Scan the QR code to visit our website <a href="https://hyperwork.vn/">https://hyperwork.vn/</a></p> 				
<p><b>05</b></p> 	<p><b>06</b></p>    	<p><b>07</b></p> 			

# HyperWork Airy Pro

Hướng dẫn lắp đặt  
Mã sản phẩm: HPW-OC04-BLK



<p>A x 5</p> 	<p>B x 1</p> 	<p><b>01</b></p> 	<p><b>02</b></p> 	<p><b>03</b></p> 	<p><b>04</b></p> 
<p>C x 1</p> 	<p>D x 1</p> 				
<p>E x 1</p> 	<p>F x 2</p> 				
<p>G x 1</p> 	<p>H x 2 (6x25)mm</p> 				
<p>I x 6 (6x25)mm</p> 	<p>J x 3 (8x16)mm</p> 				
<p>K x 10</p> 	<p>L x 1(5)MM</p> 				
<p>M x 1</p> 	<p>N x 1</p> 				
<p>O x 4 (6x14)mm</p> 	<p>Scan the QR code to visit our website <a href="https://hyperwork.vn/">https://hyperwork.vn/</a></p> 